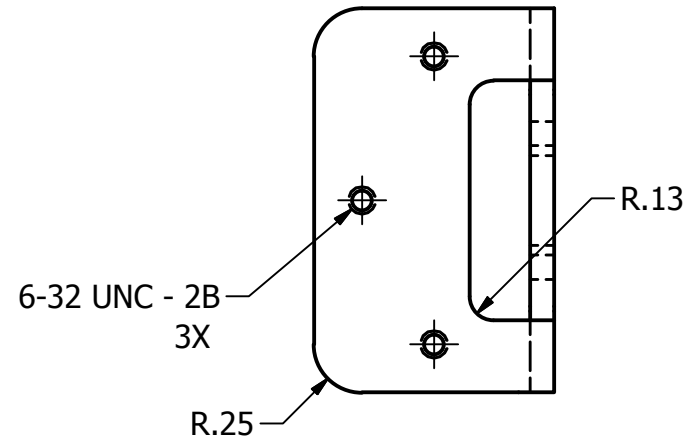
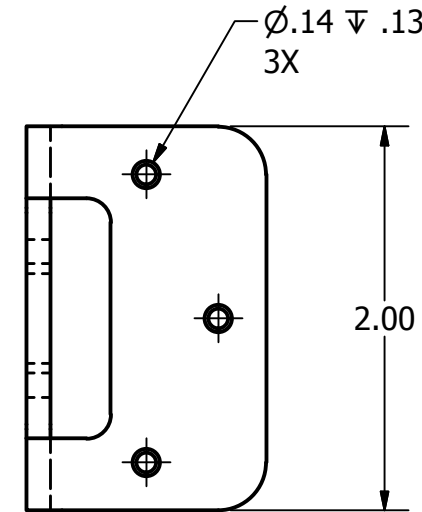
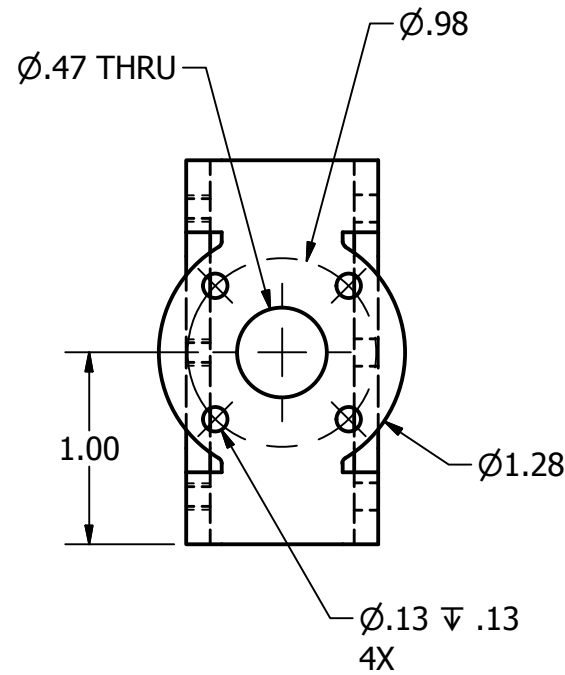


NOTE: FLAT PATTERN SHOWN.



6-32 UNC - 2B  
3X



DRAWN Arch	3/14/2011	<b>BRODAK MANUFACTURING</b>		
CHECKED				
QA		TITLE		
MFG		PROFILE MOUNT FOR ARROWIND 28mm MOTORS		
APPROVED		SIZE	DWG NO	REV
		<b>B</b>	<b>AWD-MNT-PROFILE-1</b>	
		SCALE	SHEET 1 OF 1	